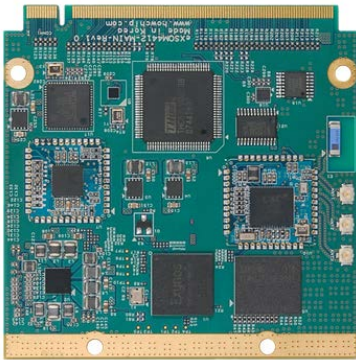


ExSOM-4412

System-On-Module based on Samsung Exynos4412

The Fastest Way to design your Embedded Applications



ExSOM-4412 is a full featured **System on Module** that integrates all the core components of a Single Board Computer and can be mounted onto an application specific base board. It has a standardized form factor of 70mm x 70mm and have specified pin outs based on the high speed 230-pin MXM connector and provides the functional requirements for all kinds of embedded applications.

Based upon Samsung Exynos4412 quad core processor, ExSOM-4412 includes all of the S/W tools and accessories required to immediately begin development work.

ExSOM-4412 Key Features

- Powered by Samsung Exynos4412 Quad Core CPU
- High Speed Ethernet(10/100Mbps)
- Display Interface: HDMI(1080p) for TV, LVDS 2 ch for TFT LCD
- Camera Interface: Parallel 2 ch
- Audio interface: Line in/out and Headphone out.
- USB 2.0 Host 4 ch and OTG
- Built-in eMMC device up to 8GB
- Built-in WiFi and Bluetooth Module
- SD/SDIO interface for External storage
- Configurable GPIOs, Analog inputs, PWMs and

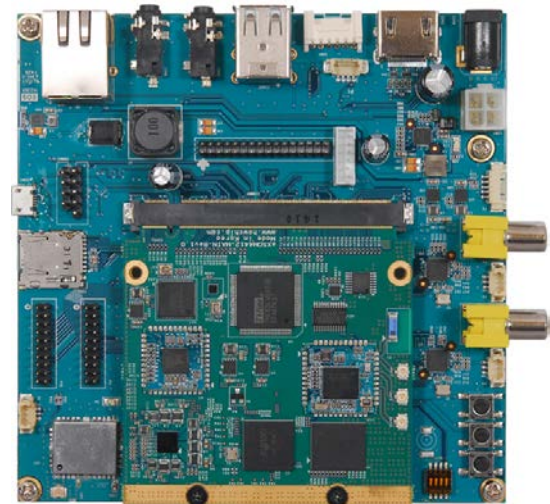
Serial interfaces such as I2Cs, SPIs, and UARTs

- PCB Size: 70mm x 70mm

Development Kit (ExSOM-4412-DVK)

A Development Kit as a reference design is provided for customers to develop their own end-product. And it works as a Android/Linux computer as it is.

- Main board(SOM module): ExSOM-4412
- Base board
 - Nano-ITX form factor (120mm x 120mm) with all interface that ExSOM-4412 provides
 - Full Schematic is available
- System Software
 - Android: 4.0.4 with Kernel 3.0.x
 - Full source code is available now.



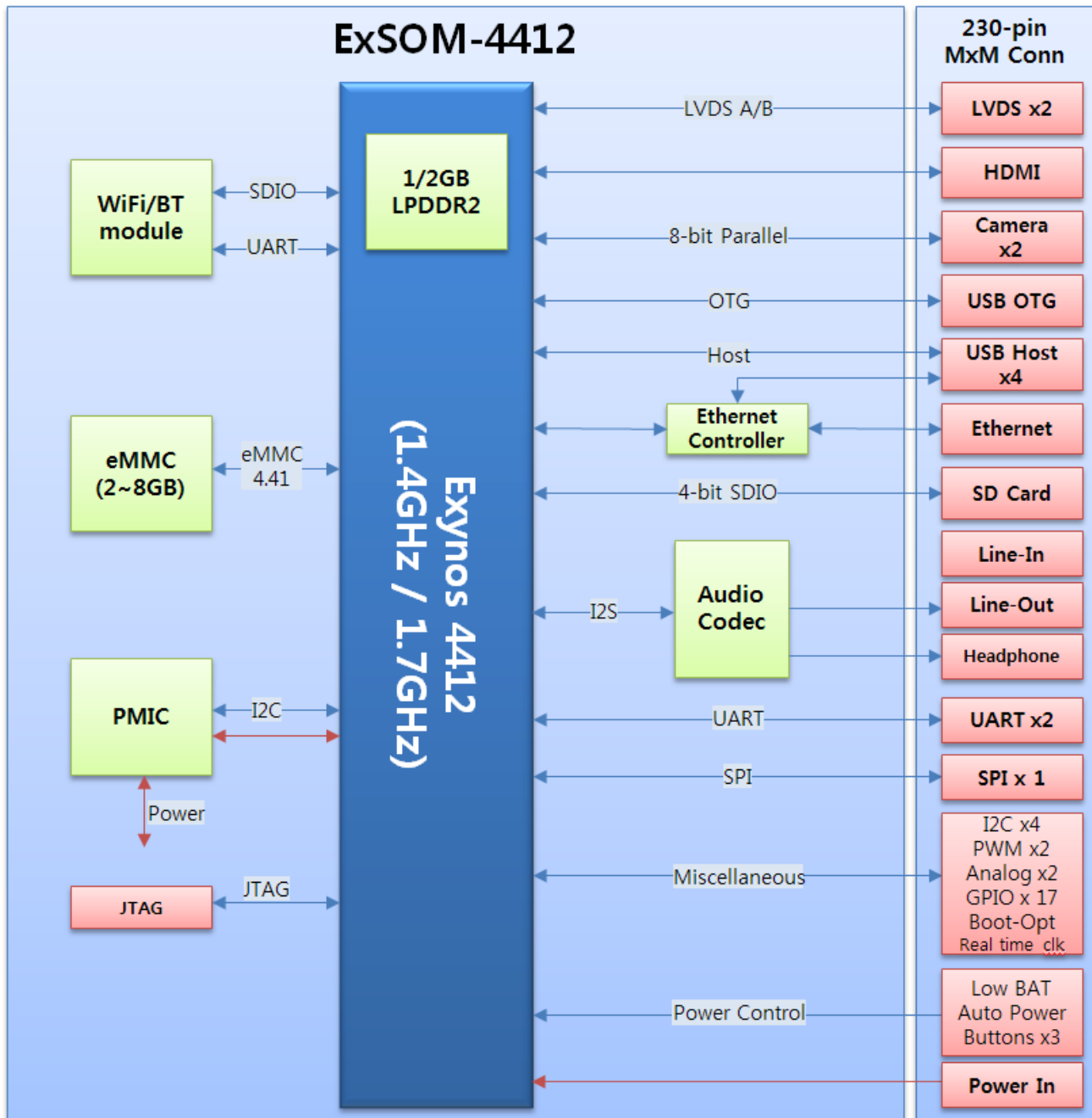
Order Now at www.howchip.com

Custom Design Service

As an Echo-System Partner of Samsung Exynos processor, HOWCHIP.COM provides development and consulting services on a variety of embedded platforms with ExSOM series. You can profit from our rich experience in embedded platform development to achieve your time-to-market goal and reduce development cost and risks.

Please contact howchip@howchip.com now for more details

Block Diagram of ExSOM-4412

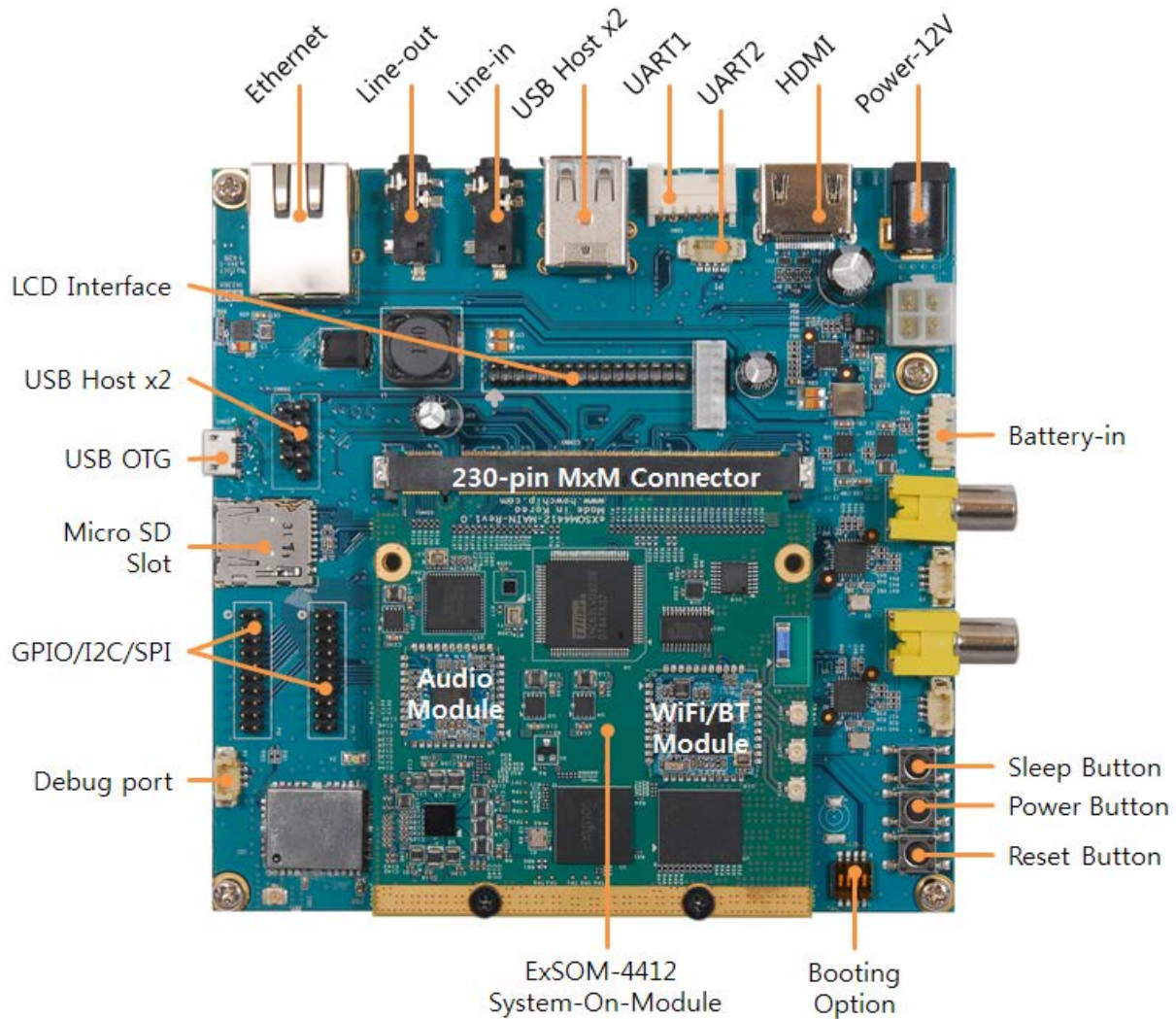


Ordering Information

- ExSOM-4412: Standard Version
- ExSOM-4412L: Lite version without WiFi/BT module

HOWCHIP.COM

Description of ExSOM-4412-DVK



The specification could be changed without notification.

Ordering Information

- ExSOM-4412-DVK: ExSOM-4412 Standard Version + baseboard
- Please visit howchip.com for more details.

HOWCHIP.COM